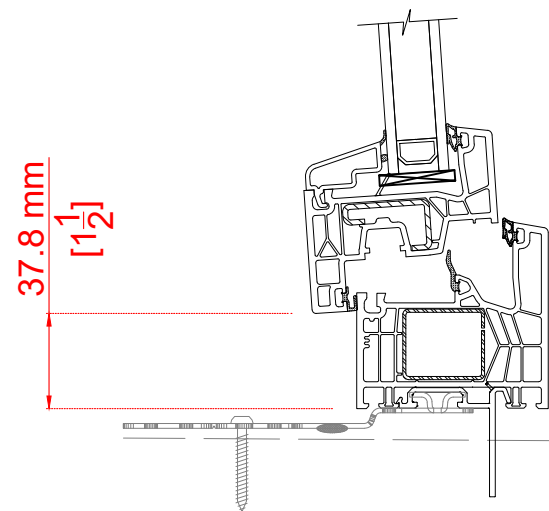
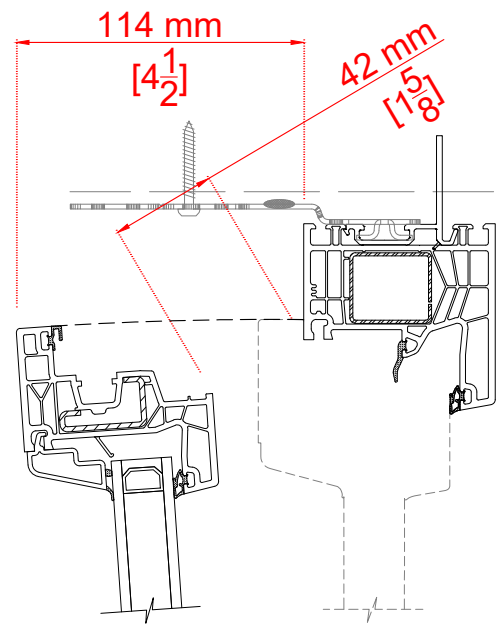


76TS - T&T Hardware

[18 ³/₄ - 25] in.
[476.3 - 635] mm
HEEL WIDTH

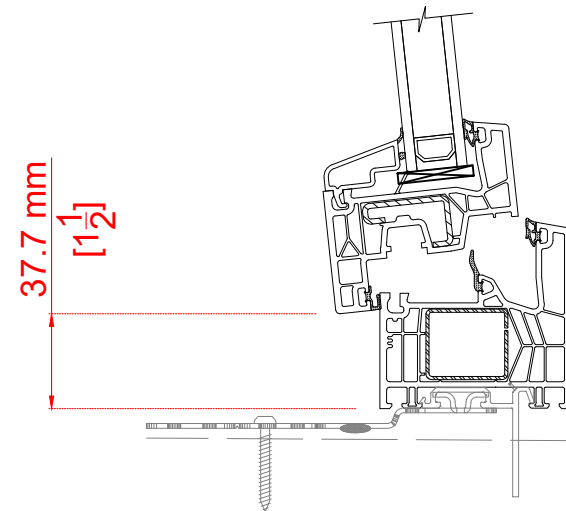
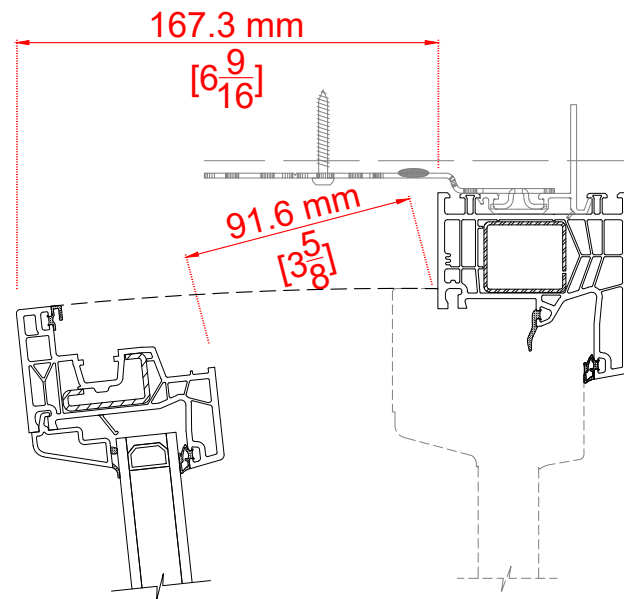
Section at Window Head



Section at Window Sill

[25 - 31 ¹/₃] in.
[635 - 795] mm
HEEL WIDTH

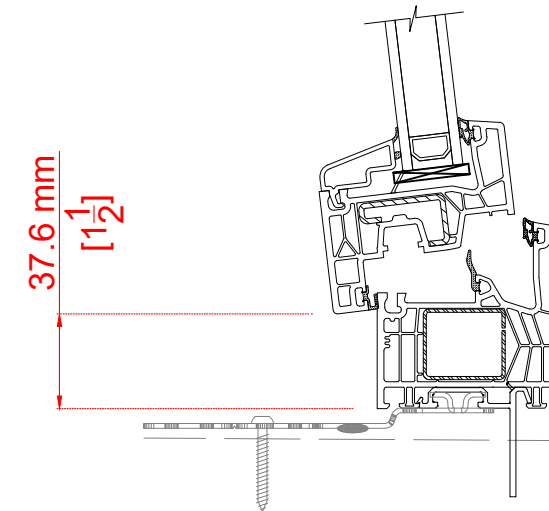
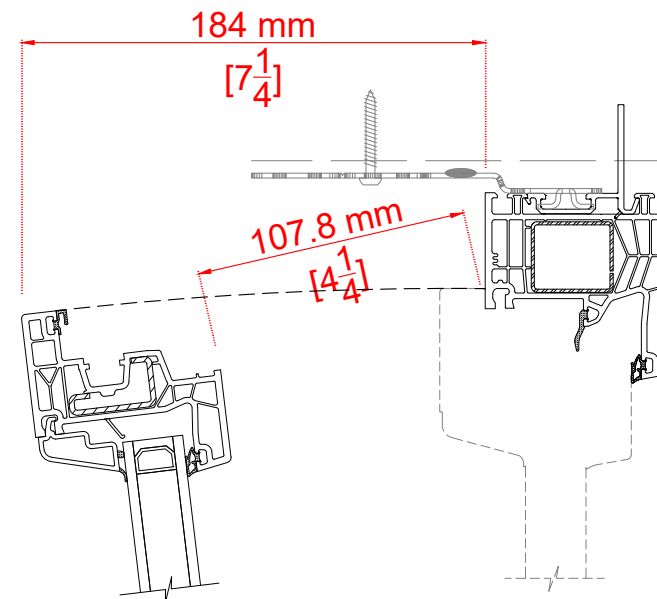
Section at Window Head



Section at Window Sill

[31 ¹/₃ - 60] in.
[795 - 1524] mm
HEEL WIDTH

Section at Window Head



Section at Window Sill

(C) COPYRIGHT

THIS DOCUMENT IS THE PROPERTY OF INNOTECH WINDOWS + DOORS AND IN NO PART HEREIN SHALL BE USED, EXCEPT FOR THIS SPECIFIC PROJECT WITHOUT THE WRITTEN CONSENT OF INNOTECH WINDOWS + DOORS.

NOTES

[Measurements are based on a sample size:
Width: 870mm
Height: 1484mm]

REVISIONS

NO.	DATE	DESCRIPTION
01	2026.01.19	Extra Dimension Added.
02	2026.05.05	Multi-Tilt and Comfort H.W. Added

PROJECT:

Depth of Tilt for Ventilation

TITLE: 76TS - T&T Hardware

PAGE:

UNIT: MM

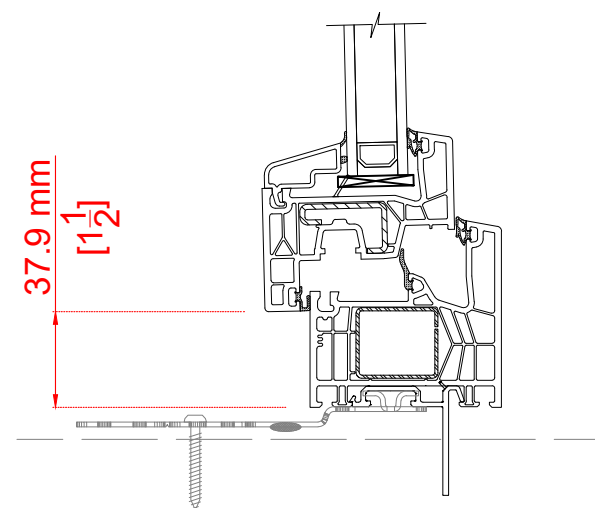
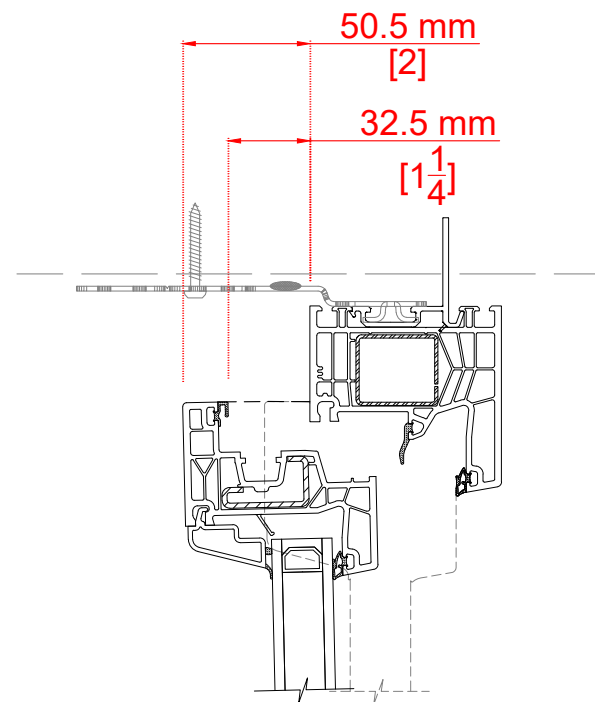
SCALE: 1:3

DRAWN BY: J.Imbery / E.Dori

1 of 2

76TS - T&T Hardware: Multi-Tilt Enabled

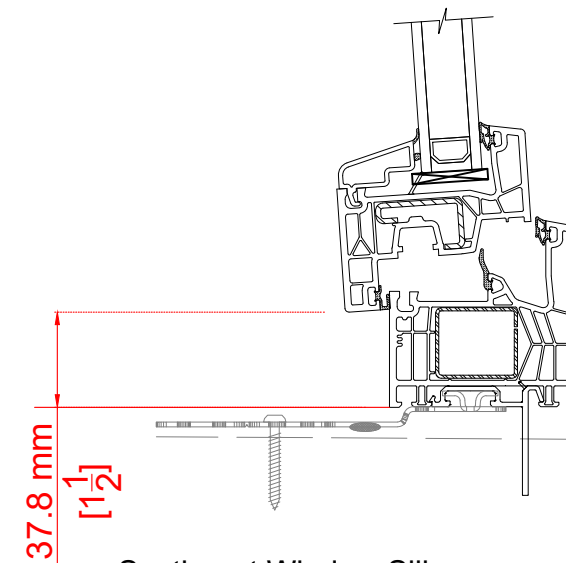
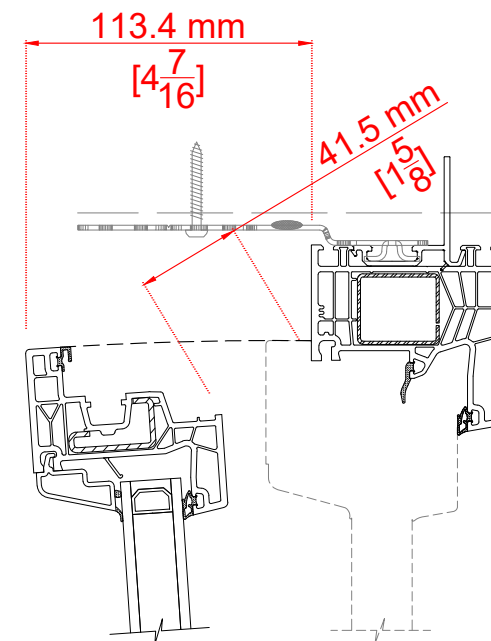
Section at Window Head



Section at Window Sill

76TS - Comfort Hardware (Handle on Bottom)

Section at Window Head



Section at Window Sill

(C) COPYRIGHT

THIS DOCUMENT IS THE PROPERTY OF INNOTECH WINDOWS + DOORS AND IN NO PART HEREIN SHALL BE USED, EXCEPT FOR THIS SPECIFIC PROJECT WITHOUT THE WRITTEN CONSENT OF INNOTECH WINDOWS + DOORS.

NOTES

[Measurements are based on a sample size:
Width: 870mm
Height: 1484mm]

REVISIONS

NO.	DATE	DESCRIPTION
01	2026.01.19	Extra Dimension Added.
02	2026.05.05	Multi-Tilt and Comfort H.W. Added

PROJECT:

Depth of Tilt for Ventilation

TITLE: 76TS - Multi-Tilt Enabled & Comfort H.W.

PAGE:

UNIT:
MM

SCALE:
1:3

DRAWN BY:
J.Imbery / E.Dori

2 of 2