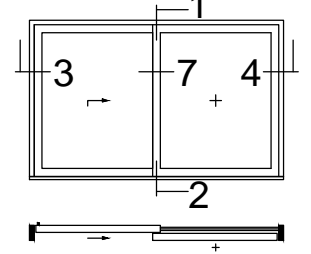


PRODUCT SERIES:

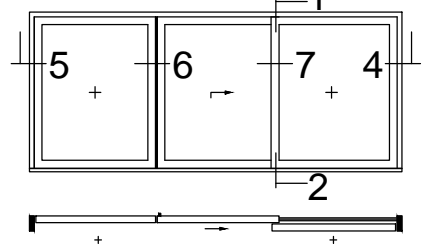
**DEFENDER 76LS**

DOOR CONFIGURATIONS AS VIEWED FROM EXTERIOR

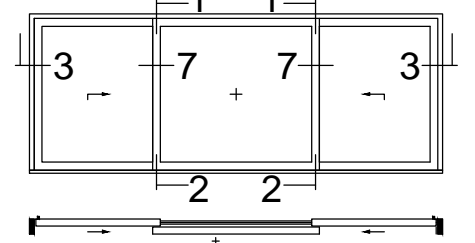
XO



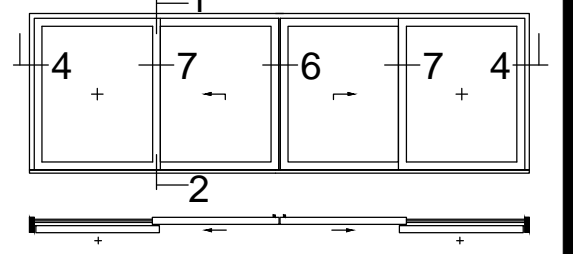
O XO



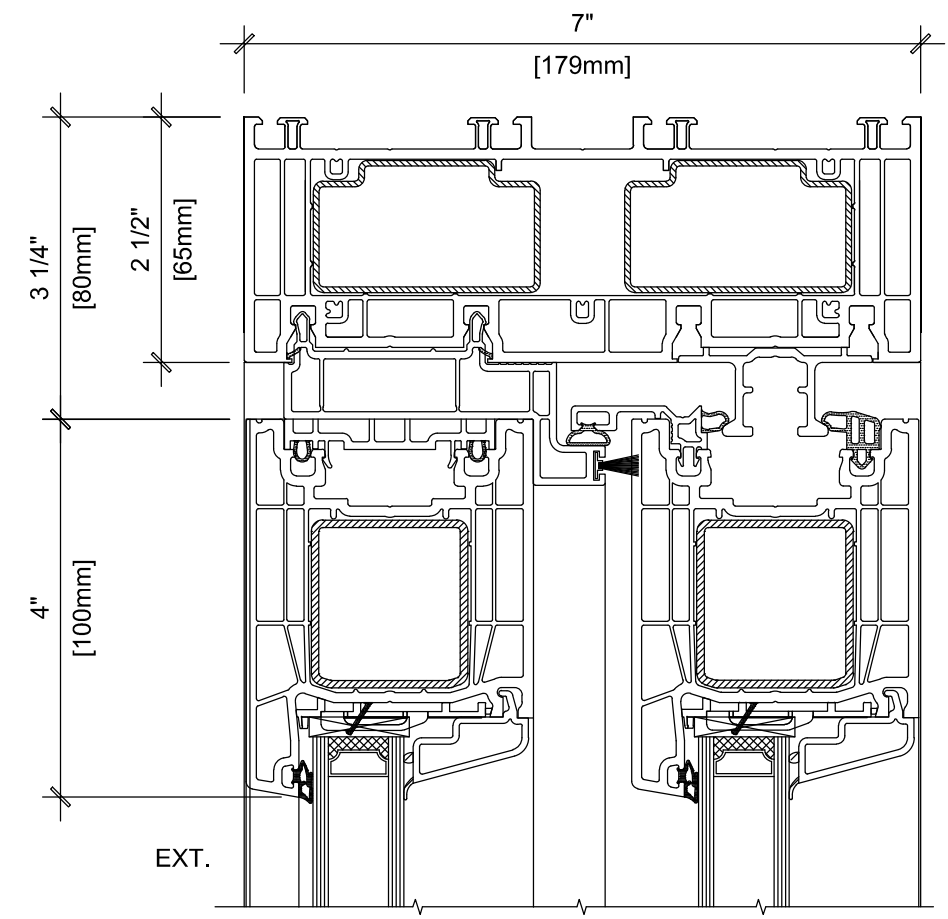
XOX



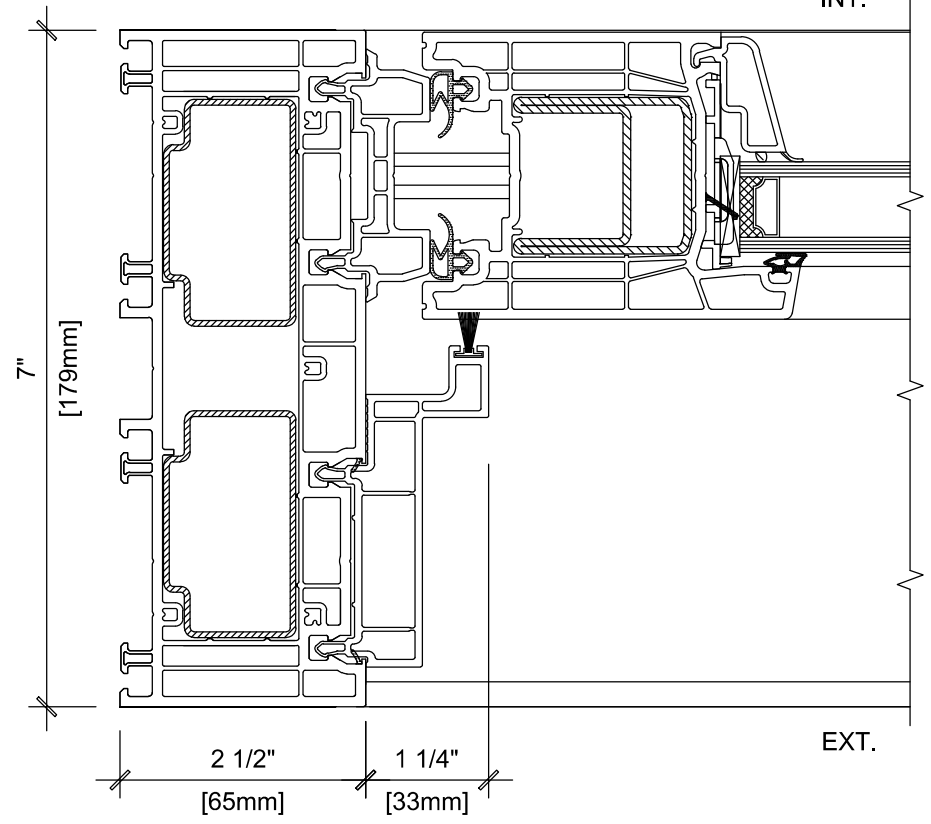
O X XO



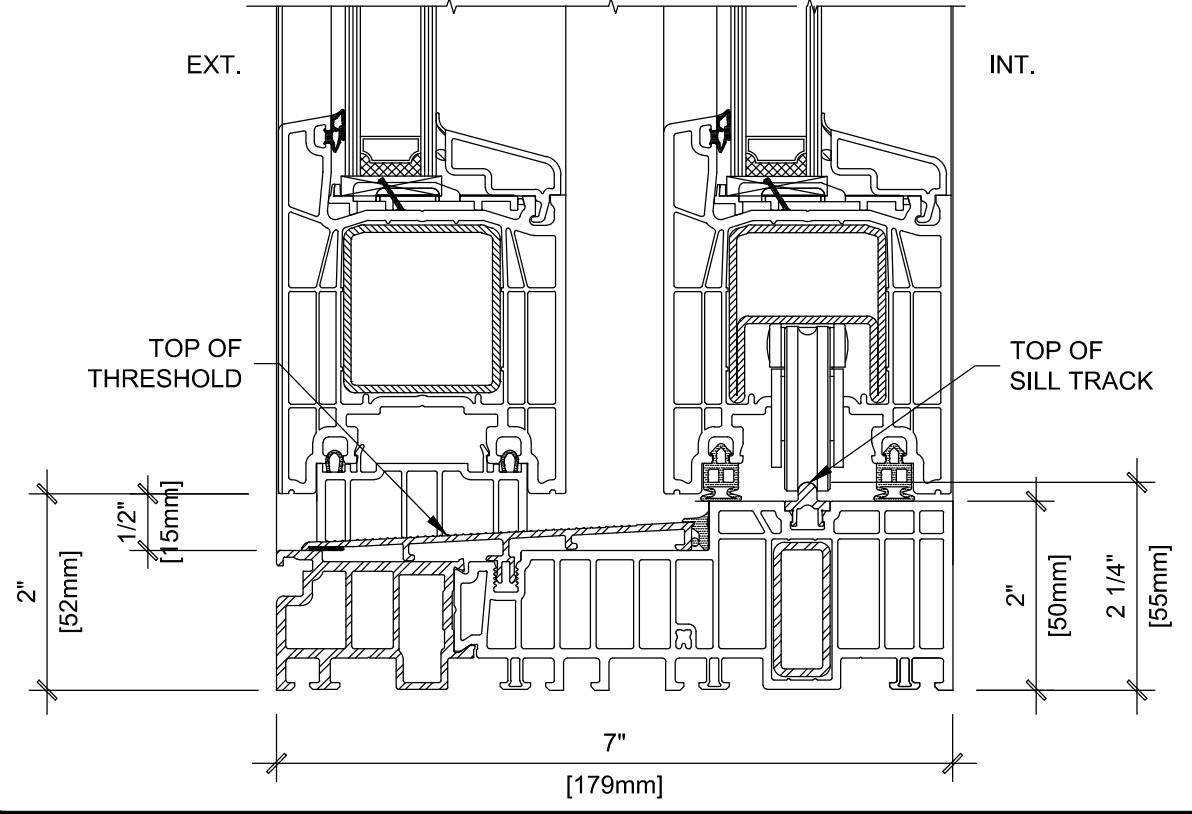
**1. HEAD**



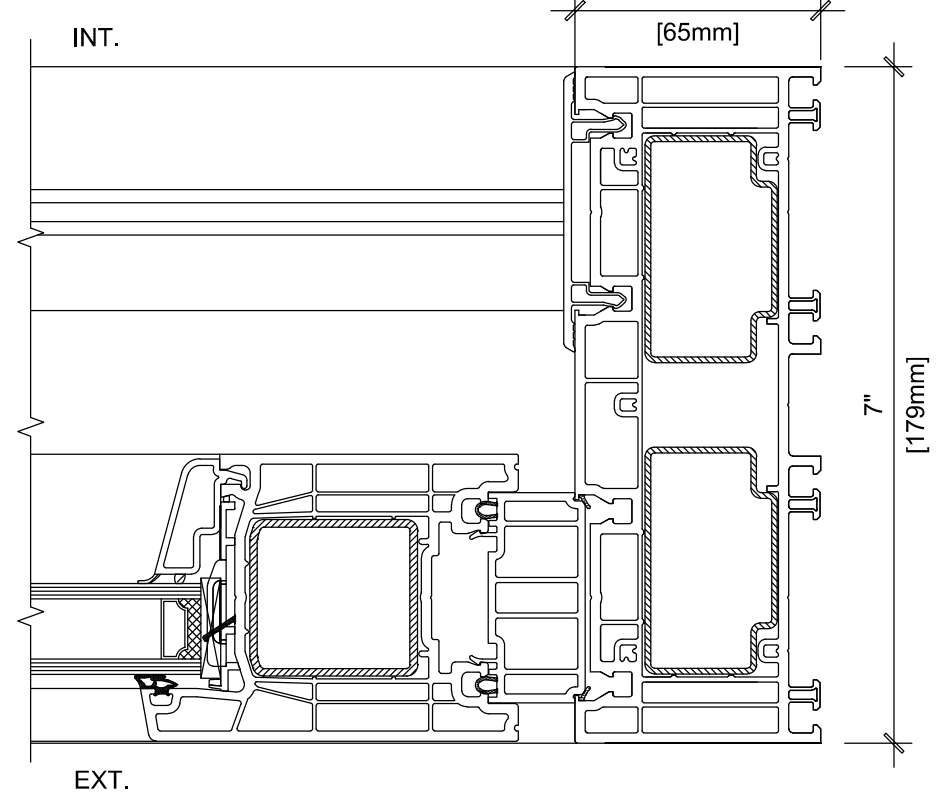
**3. JAMB AT SLIDER**



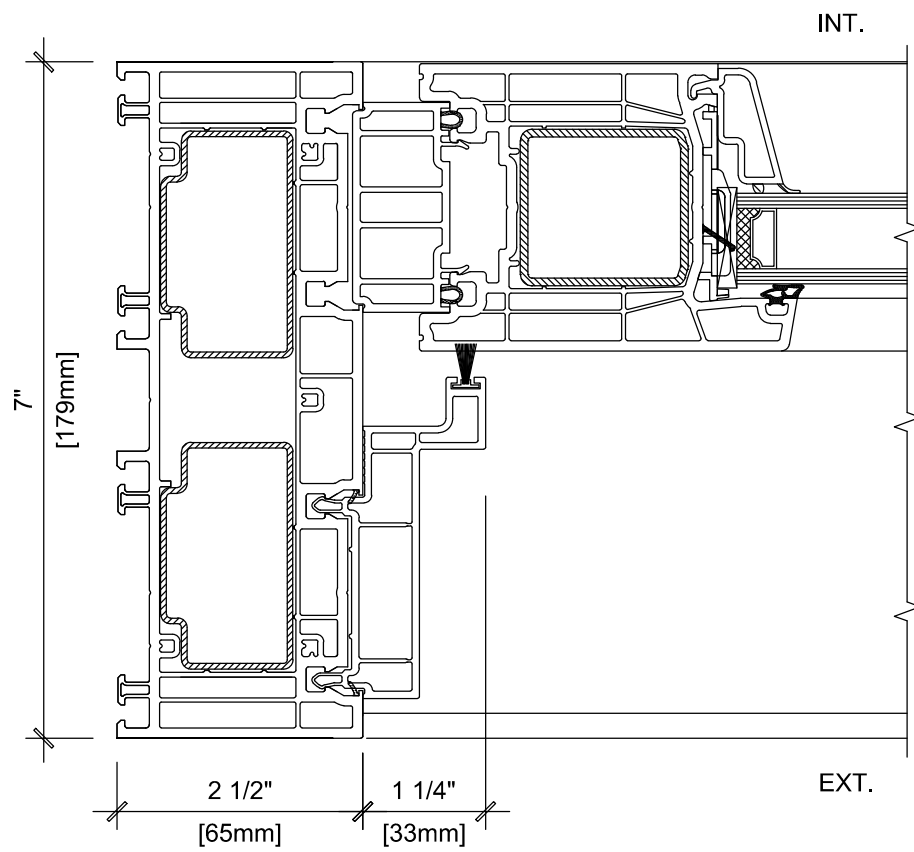
**2. SILL**



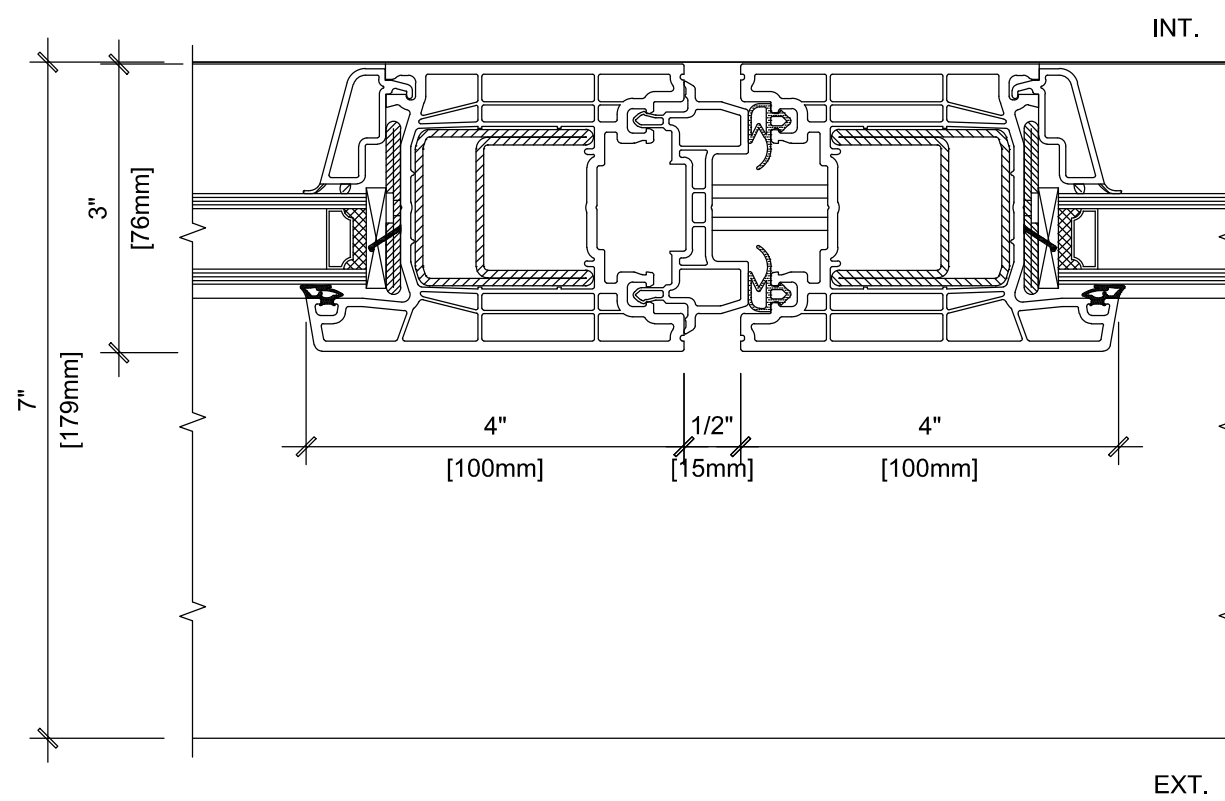
**4. JAMB AT FIXED LITE**



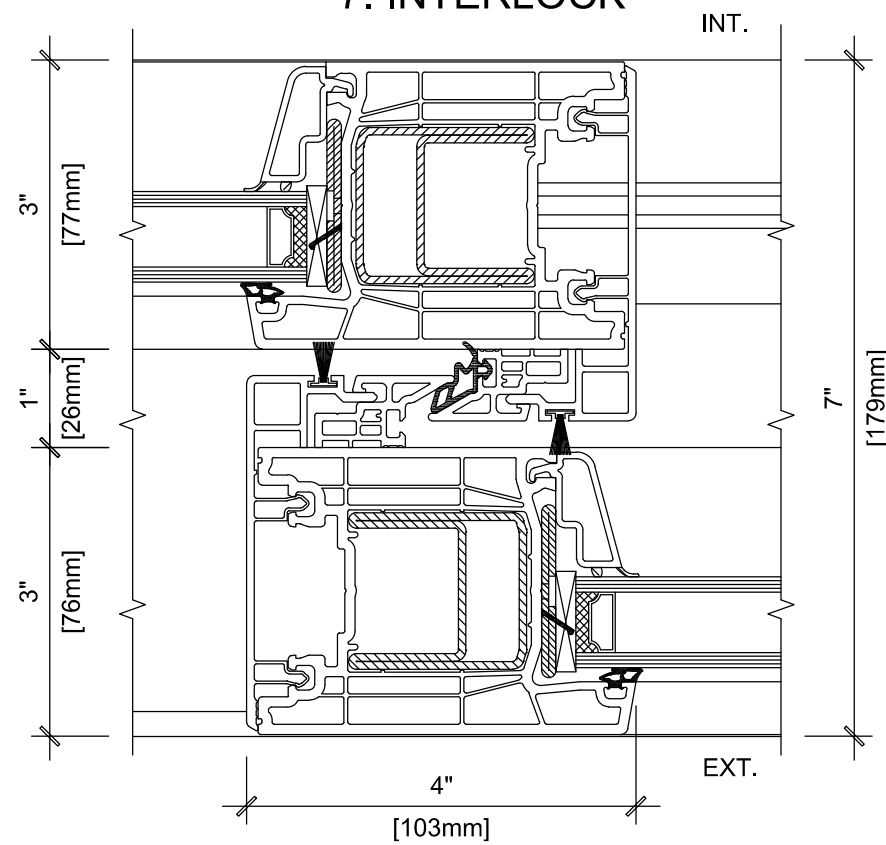
### 5. JAMB AT FIXED LITE



### 6. ASTRAGAL



### 7. INTERLOCK

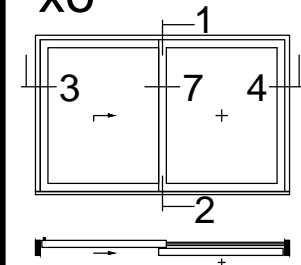


PRODUCT SERIES:

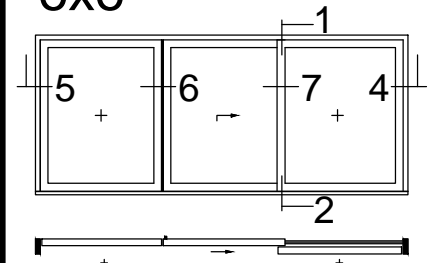
**DEFENDER 76LS**

DOOR CONFIGURATIONS AS  
VIEWED FROM EXTERIOR

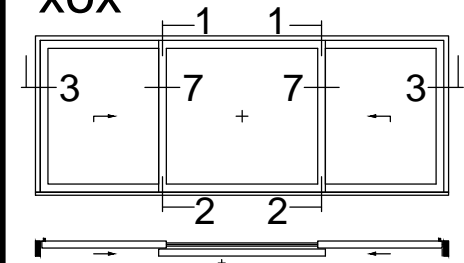
**XO**



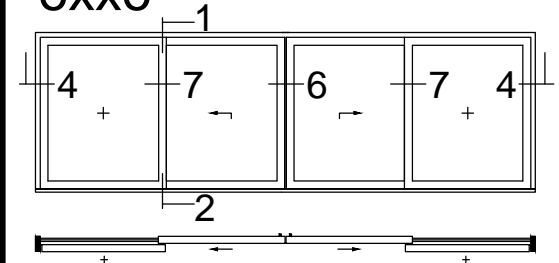
**OXO**



**XOX**



**OXXO**



DRAWING TYPE:  
**DOUBLE GLAZED**

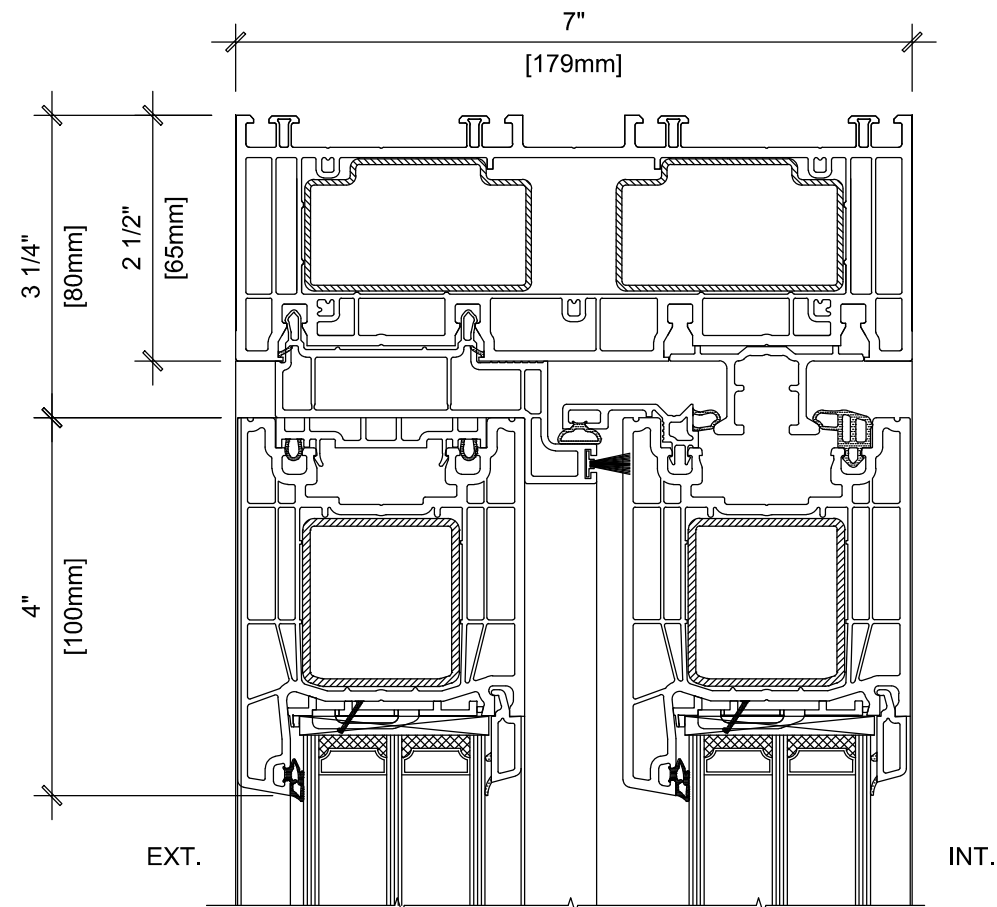
SCALE:  
1/2" = 1"

DRAWN BY:  
RLEE

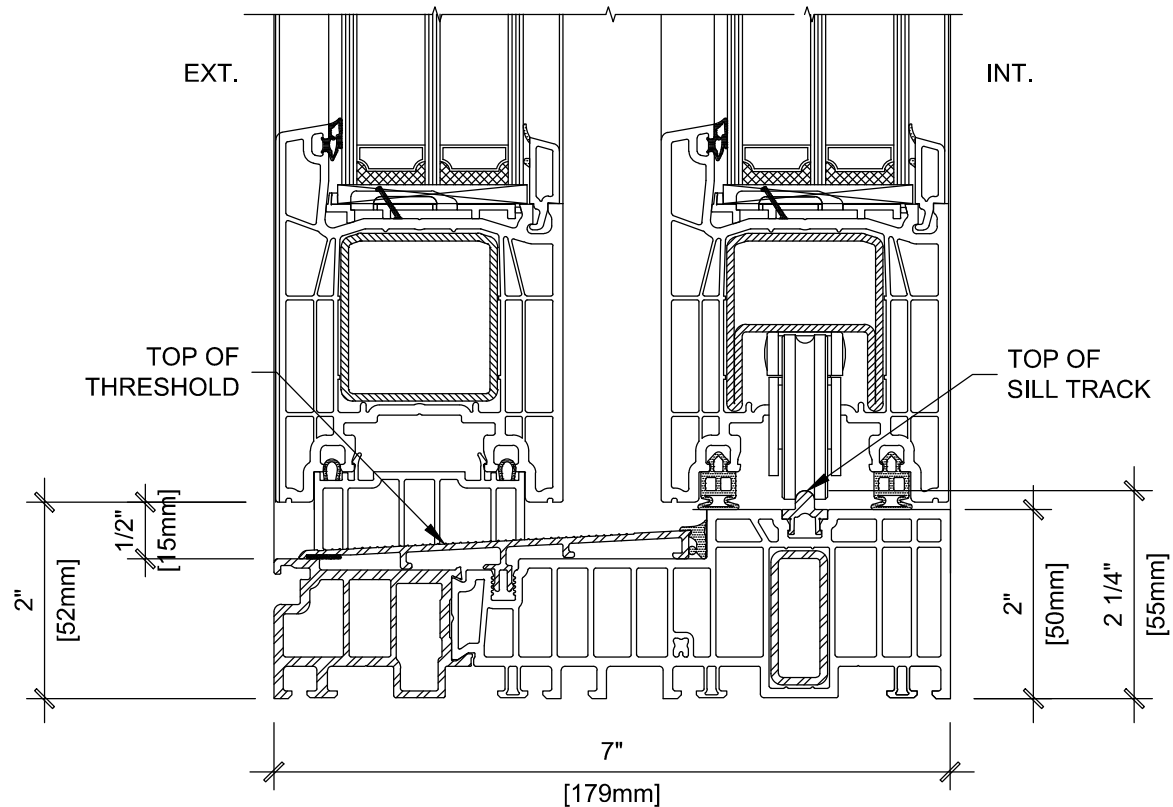
PAGE:

2 of 2

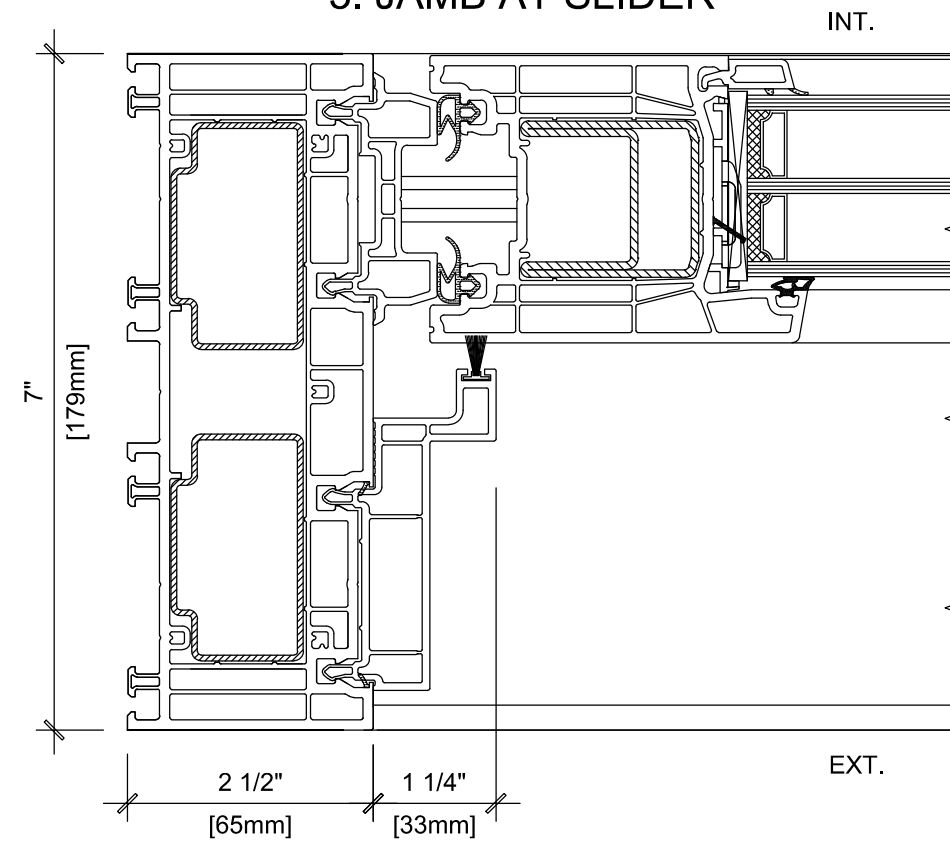
### 1. HEAD



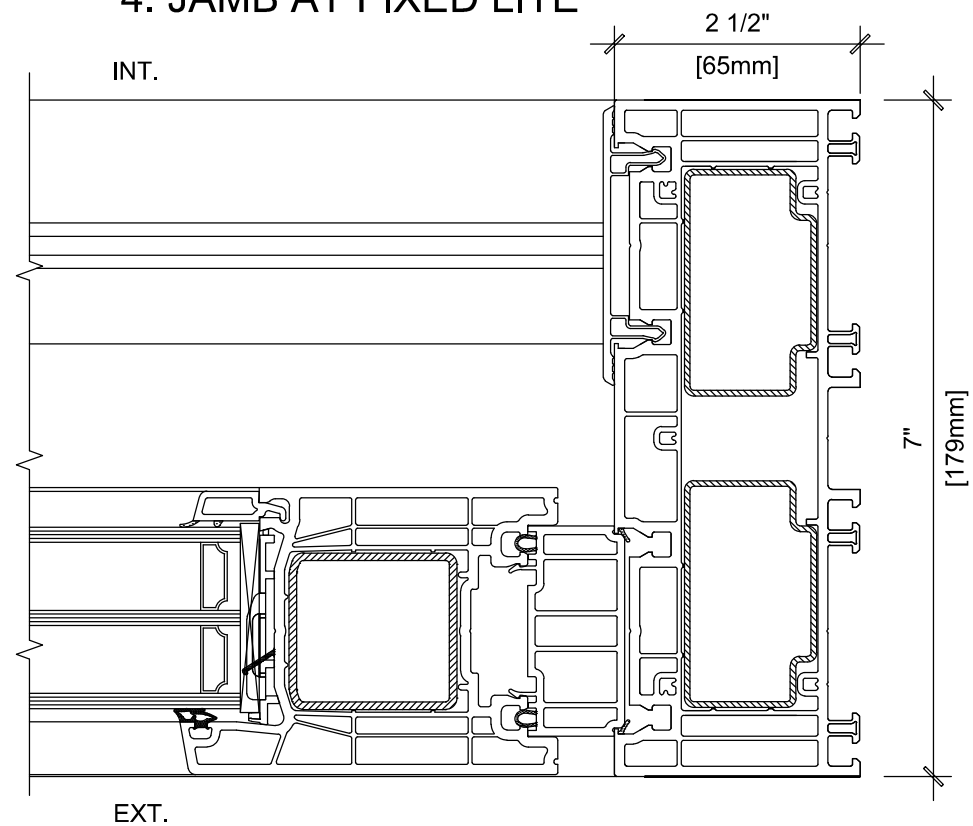
### 2. SILL



### 3. JAMB AT SLIDER



### 4. JAMB AT FIXED LITE

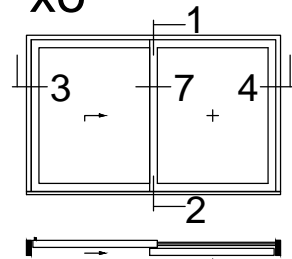


PRODUCT SERIES:

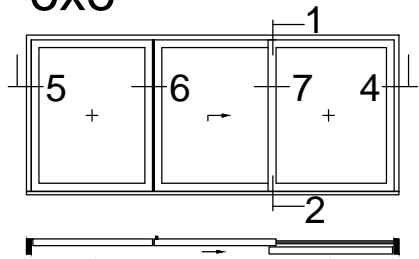
### DEFENDER 76LS

DOOR CONFIGURATIONS AS  
VIEWED FROM EXTERIOR

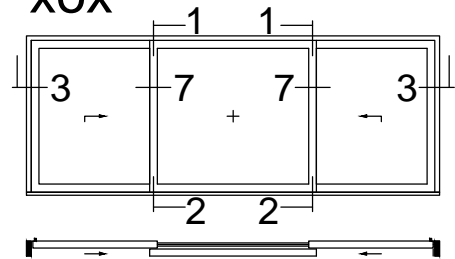
XO



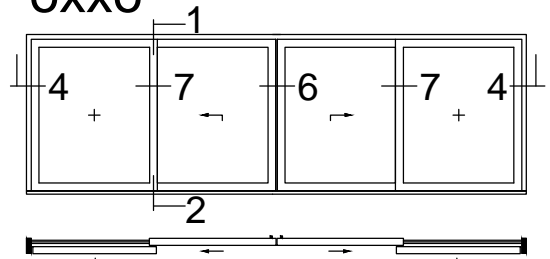
O XO



XOX



OXXO



DRAWING TYPE:  
TRIPLE GLAZED

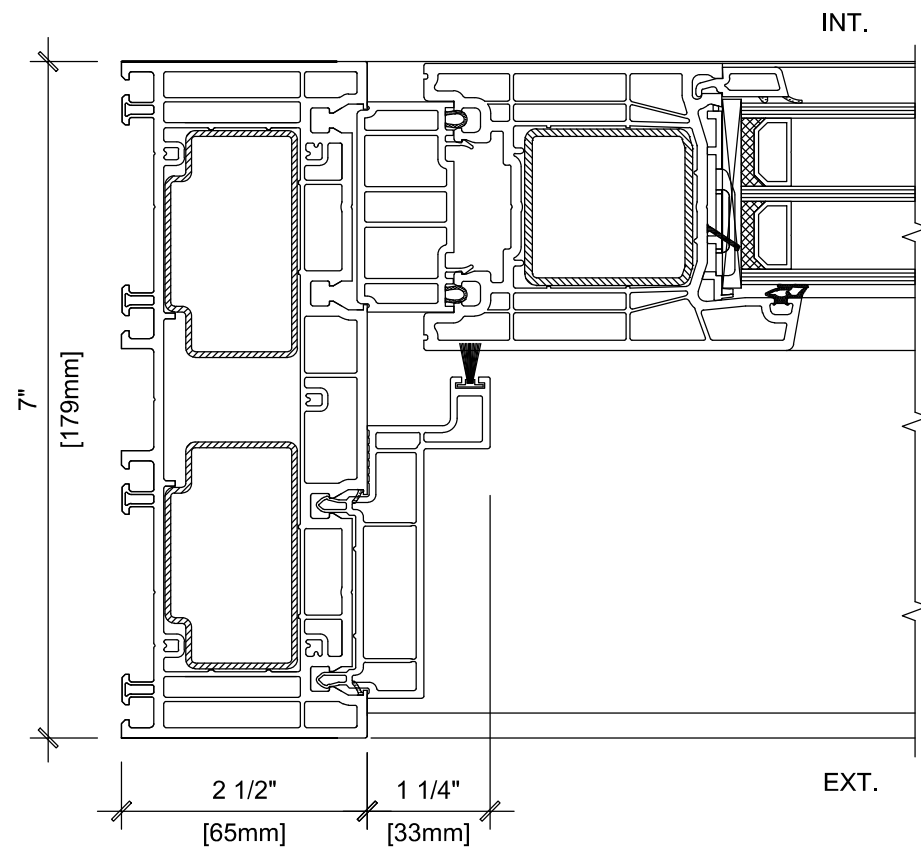
SCALE:  
1/2" = 1"

DRAWN BY:  
RLEE

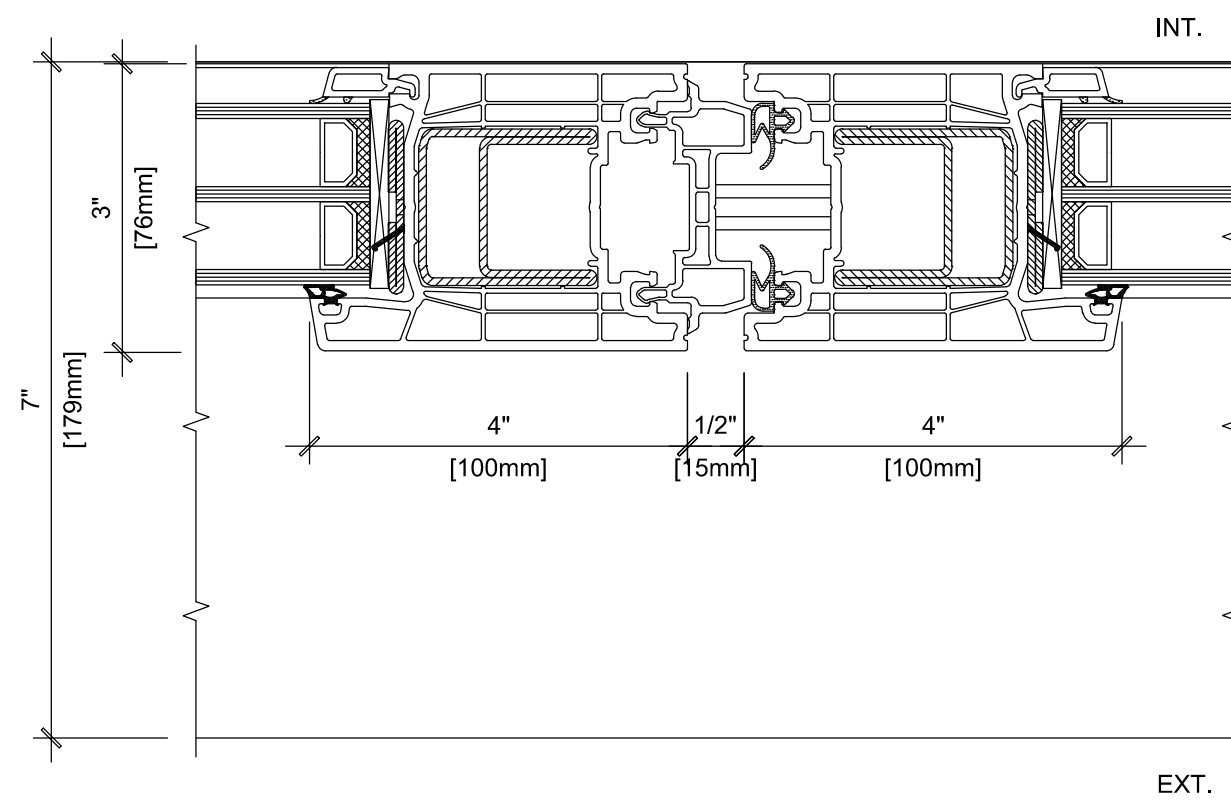
PAGE:

1 of 2

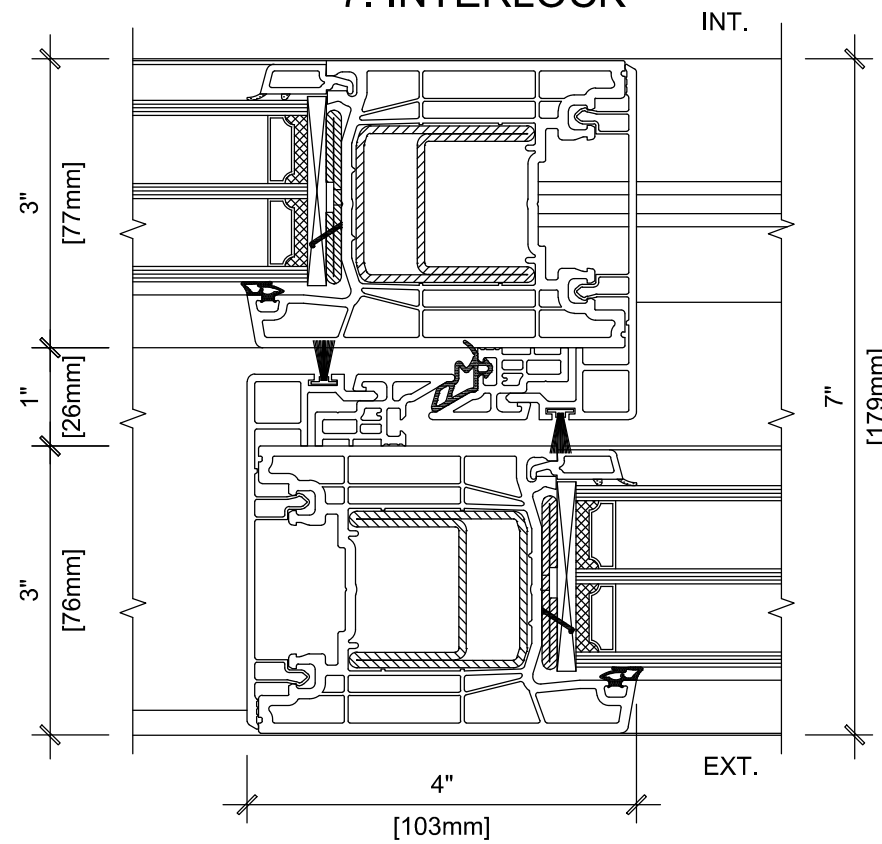
### 5. JAMB AT FIXED LITE



### 6. ASTRAGAL



### 7. INTERLOCK

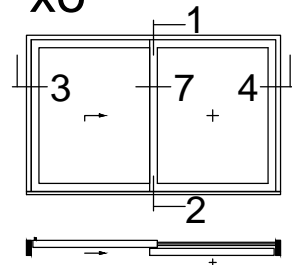


PRODUCT SERIES:

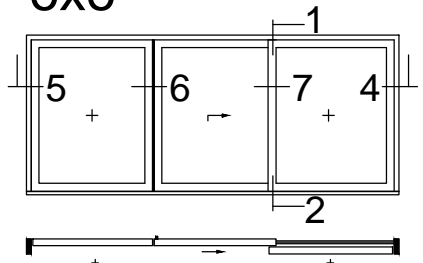
**DEFENDER 76LS**

DOOR CONFIGURATIONS AS  
VIEWED FROM EXTERIOR

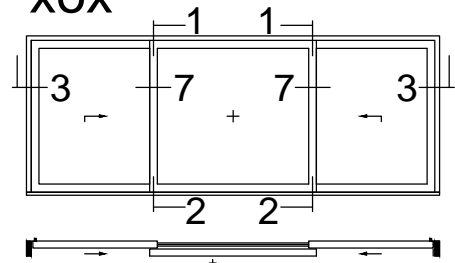
**XO**



**O XO**



**XOX**



**O X XO**

