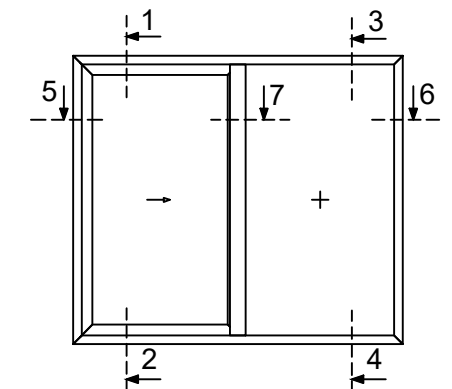


PRODUCT SERIES:

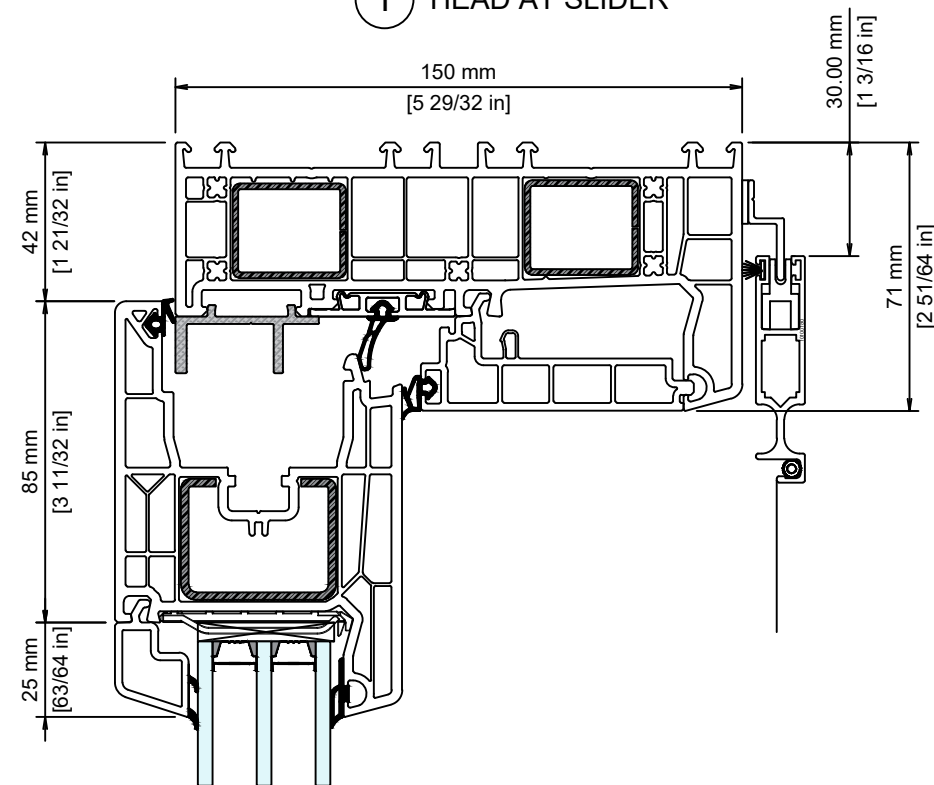
DEFENDER 76ES

DOOR CONFIGURATIONS
(AS VIEWED FROM EXTERIOR)

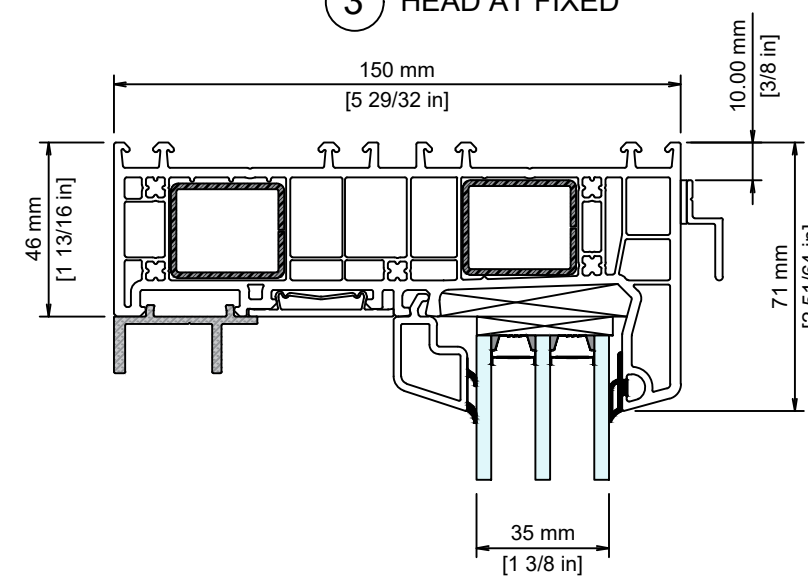
Door Indicated in Closed Position



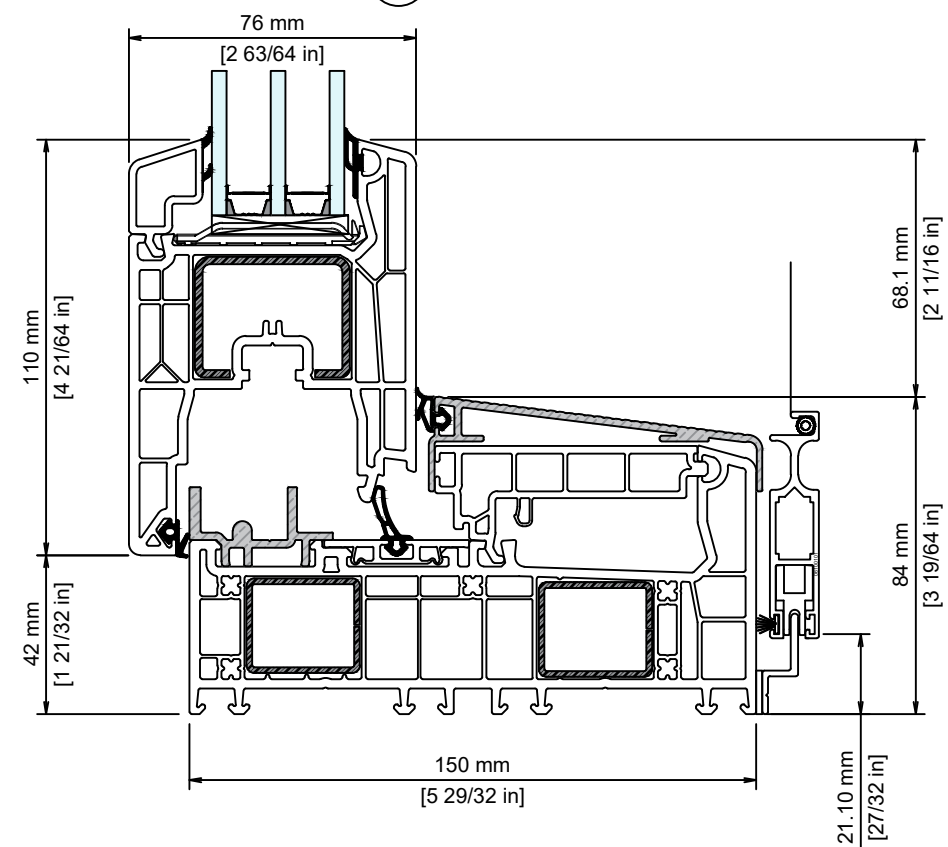
① HEAD AT SLIDER



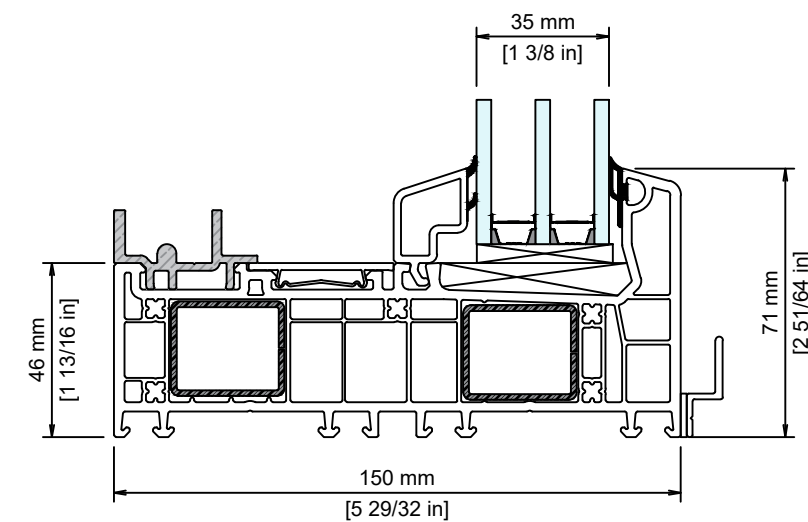
③ HEAD AT FIXED



② SILL AT SLIDER



④ SILL AT FIXED



REVISIONS

NO.	DATE	DESCRIPTION
1	-	Initial drawings
2	25-SEP-08	Clear Opening, Screen Details and Formatting

DRAWING TYPE: 76 EASY SLIDE

PAGE:

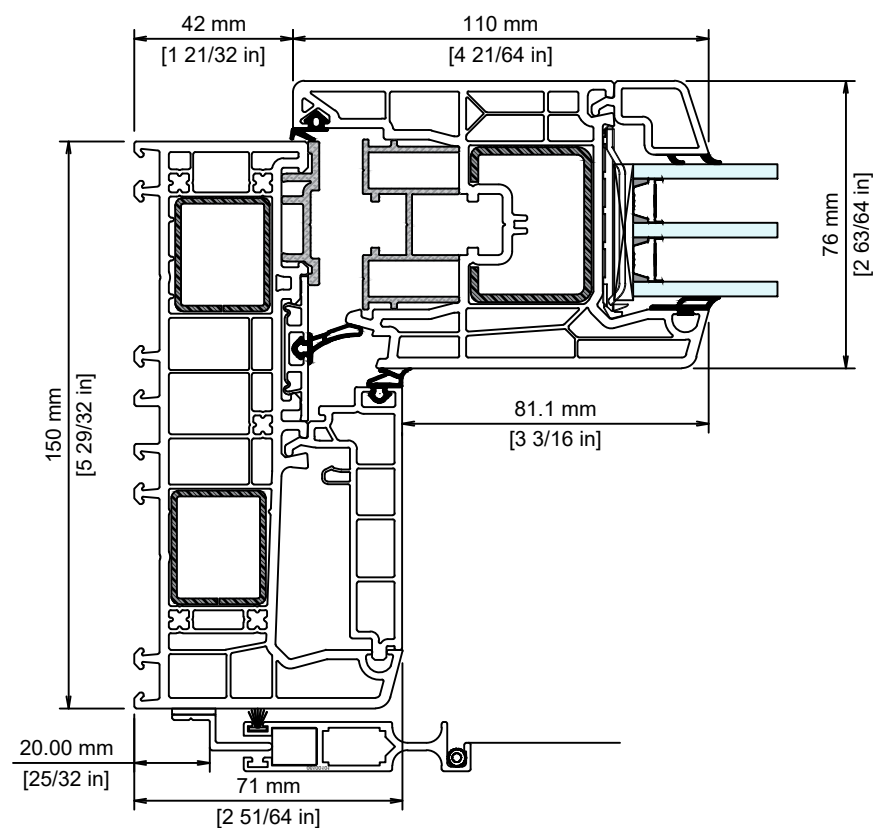
GLASS: Triple

SCALE: 1:2

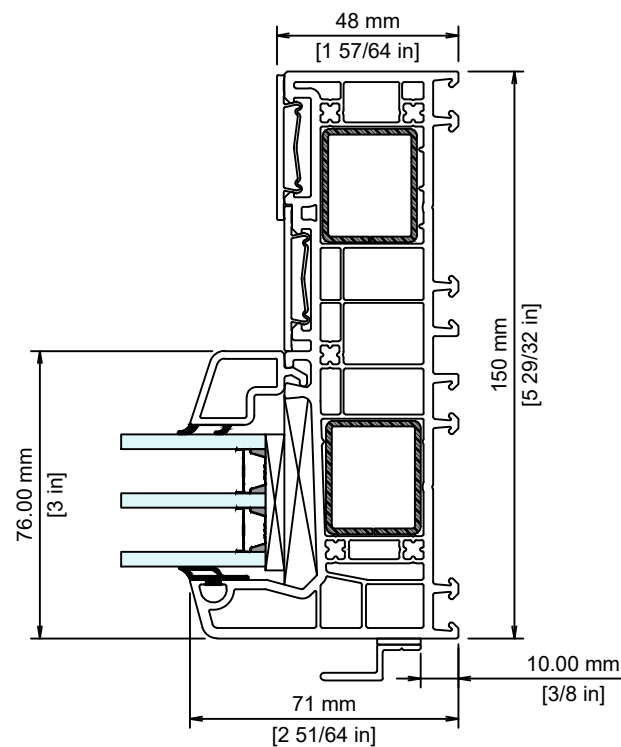
DRAWN BY:
J. IMBERY
E. DORI

1 of 4

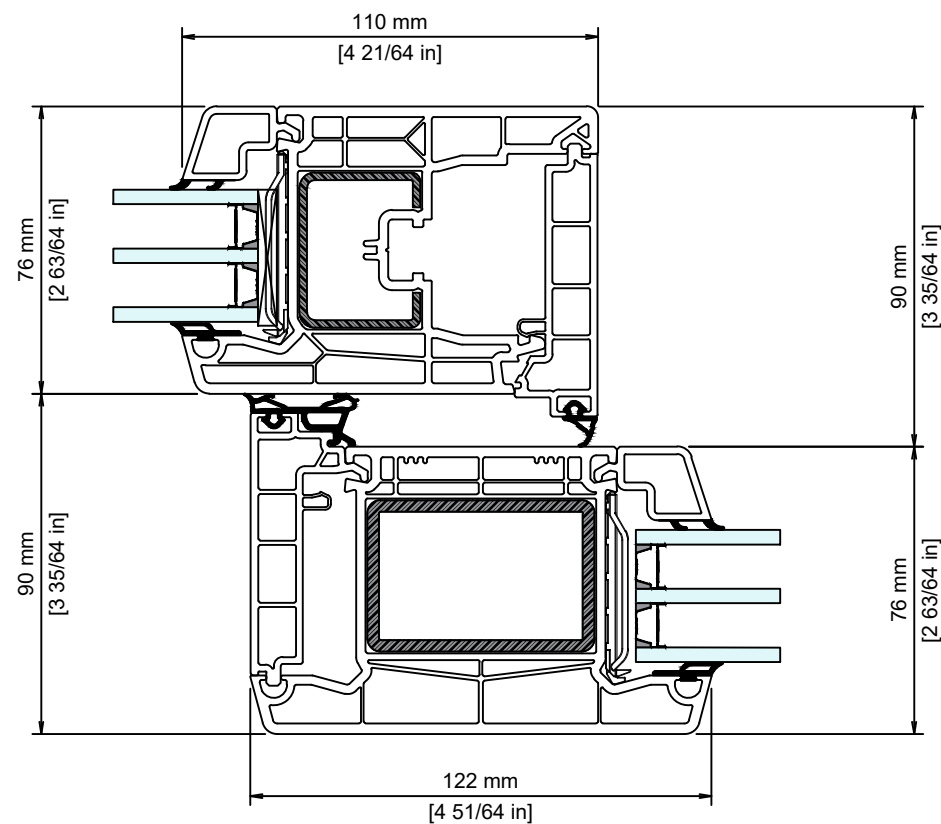
5 JAMB AT SLIDER



6 JAMB AT FIXED



7 MULLION INTERLOCK

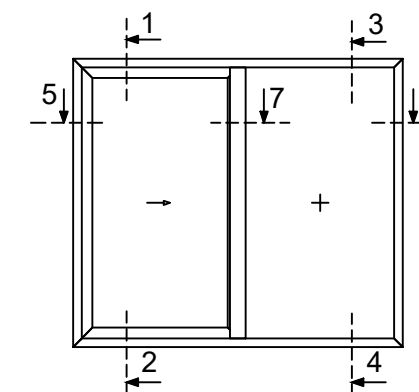


PRODUCT SERIES:

DEFENDER 76ES

DOOR CONFIGURATIONS
(AS VIEWED FROM EXTERIOR)

☒ Door Indicated in Closed Position



REVISIONS

NO.	DATE	DESCRIPTION
1	-	Initial drawings
2	25-SEP-08	Clear Opening, Screen Details and Formatting

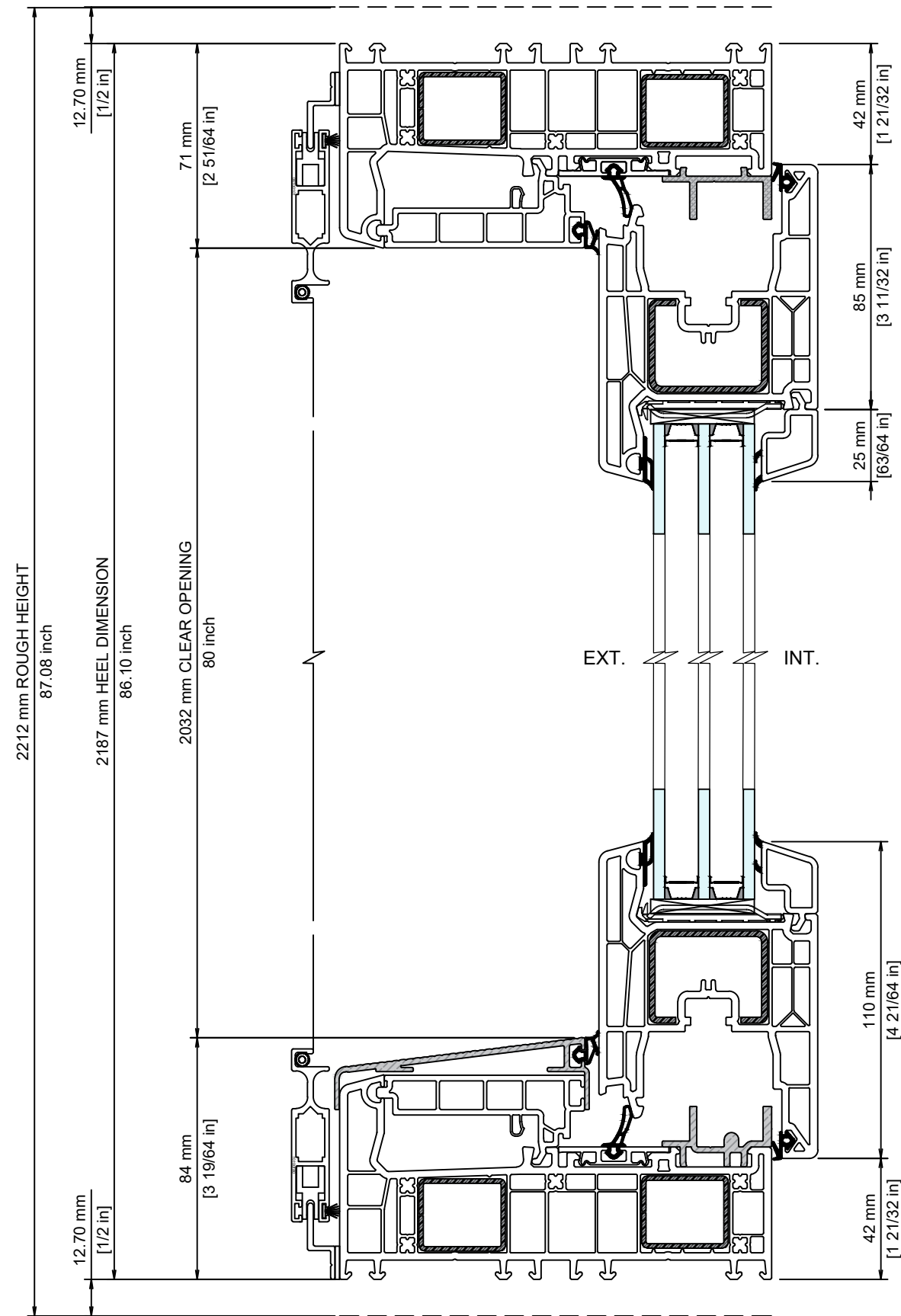
DRAWING TYPE: 76 EASY SLIDE

GLASS: Triple

SCALE: 1:2

DRAWN BY:
J. IMBERY
E. DORI

PAGE:
2 of 4



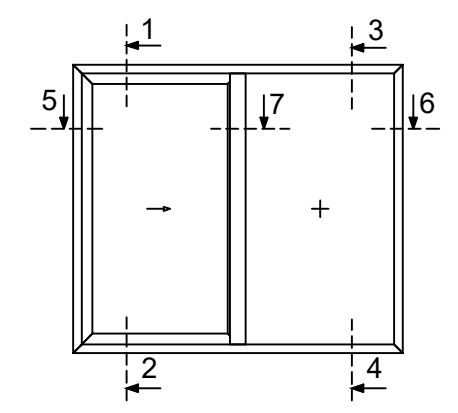
1 HEAD AT SLIDER

2 SILL AT SLIDER

PRODUCT SERIES:
DEFENDER 76ES

DOOR CONFIGURATIONS
(AS VIEWED FROM EXTERIOR)

Door Indicated in Closed Position



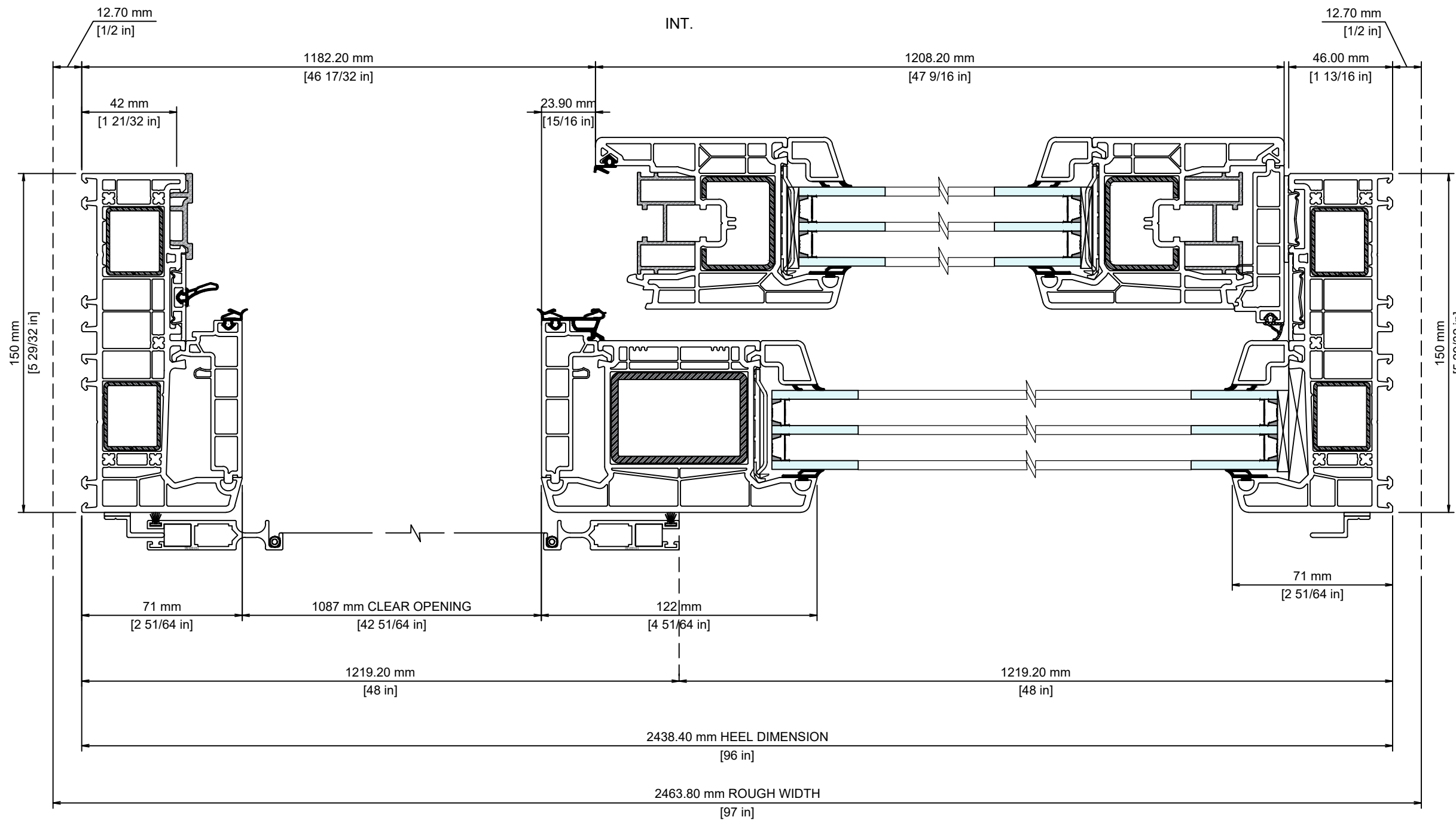
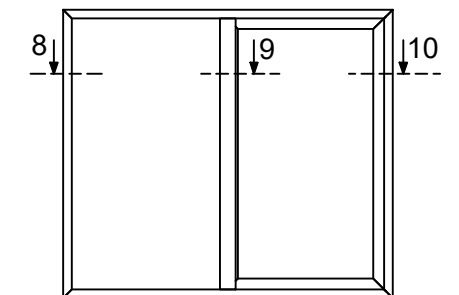
REVISIONS		
NO.	DATE	DESCRIPTION
1	-	Initial drawings
2	25-SEP-08	Clear Opening, Screen Details and Formatting

PRODUCT SERIES:

DEFENDER 76ES

DOOR CONFIGURATIONS
(AS VIEWED FROM EXTERIOR)

☒ Door Indicated in Open Position



8 JAMB Shown in Open Position

9 JAMB Shown in Open Position

10 JAMB Shown in Open Position

REVISIONS

NO.	DATE	DESCRIPTION
1	-	Initial drawings
2	25-SEP-08	Clear Opening, Screen Details and Formatting

DRAWING TYPE: 76 EASY SLIDE

PAGE:

GLASS: Triple

SCALE: 1:2

DRAWN BY: J. IMBERY E. DORI

4 of 4